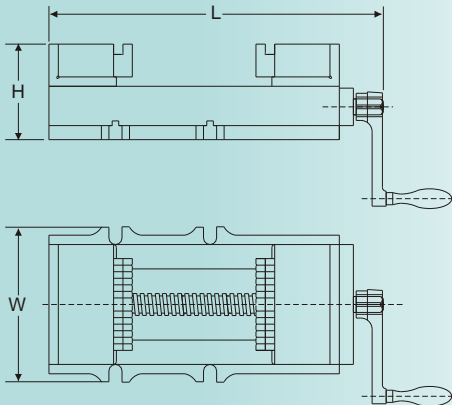


## MAGIC VISES



### CHARACTERISTICS

Manufactured from close grained high tensile grade cast iron, and precision ground body. The vise has multiple applications and is useful for clamping polygon work pieces, circular and round jobs as well as complex pieces. The round parts can be gripped with superior holding power. This vise has the capability of gripping odd shaped work pieces and eliminates the use of fixtures and jigs.



### TECHNICAL DATA

Ordering No.	Length		Width		Height		Jaw Width		Jaw Opening		Jaw Depth		Net Weight Kgs.
	Inch	mm	Inch	mm	Inch	mm	Inch	mm	Inch	mm	Inch	mm	
110035	10.5/8	270	4.3/8	110	2.1/2	63	3	75	3.1/4	82	1.1/2	38	7.75
110040	14	355	5.1/2	140	3	75	4	100	4	100	1.1/2	38	10.00
110045	15	380	6.1/2	165	4	100	5	125	5	125	1.3/4	45	18.00